

1.6 GPF Niagara Flapperless™ Toilet

Revolutionary Flapperless flush technology

A MEMBER OF THE
WATER SMART™
 FAMILY OF PRODUCTS

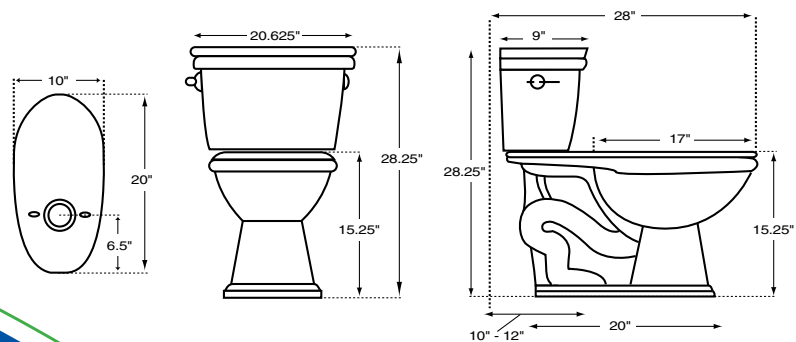
- Patented 1.6 GPF Niagara Flapperless™ flush system
- Tamper-proof flush, cannot exceed 1.6 GPF
- Large water spot
- New high-performance bowl hydraulics
- No flapper to leak or replace
- Fluidmaster fill valve
- 10 year guarantee
- Lifetime guarantee on porcelain
- Large 10" x 20" footprint
- Meets ULFT rebate standards
- No maintenance
- Uses 54% less water than a 3.5 GPF toilet
- No double-flushing
- Sweat free tank



AP-N2216
Round



Product	Item No.	Weight	Dimensions	Cube
Bowl	N2216	52.6lbs.	26.5" x 16" x 16"	4.12
Tank	N2216	44.7lbs.	21.5" x 10.5" x 15.5"	1.77



AQUA
PRO™
 SOLUTIONS LLC

water conservation, purification & management

PRODUCTS & SERVICES

aquapro.solutions.com info@aquapro.solutions.com
 877.426.3279 P.O. Box 160, Swannanoa, NC 28778

NIAGARA
 CONSERVATION