

1.6 GPF Niagara Flapperless™ Elongated Toilet

Revolutionary Flapperless flush technology

- ADA approved
- Patented 1.6 GPF Niagara Flapperless™ flush system
- Tamper-proof flush, cannot exceed 1.6 GPF
- Large water spot
- New high-performance bowl hydraulics
- No flapper to leak or replace
- Fluidmaster fill valve
- 10 year guarantee
- Lifetime guarantee on porcelain
- Large 10" x 20" footprint
- No maintenance
- Uses 54% less water than a 3.5 GPF toilet
- No double-flushing
- Sweat free tank

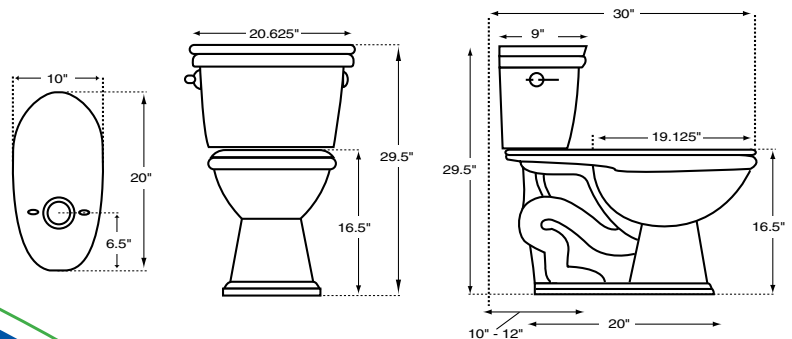
A MEMBER OF THE
WATER SMART™
FAMILY OF PRODUCTS



**AP-N2226
Elongated**



Product	Item No.	Weight	Dimensions	Cube
Bowl	N2226	51.7lbs.	30.75" x 16.25" x 17.25"	4.99
Tank	N2226	45.1lbs.	21.8" x 10.3" x 16.5"	2.14



**AQUA
PRO™**
SOLUTIONS LLC

water conservation, purification & management

PRODUCTS & SERVICES

aquapro solutions.com info@aquapro solutions.com
877.426.3279 P.O. Box 160, Swannanoa, NC 28778

**NIAGARA
CONSERVATION**