

ECOLOGIC 1.28 GPF HET Niagara Flapperless™ Elongated Toilet

Revolutionary Flapperless flush technology

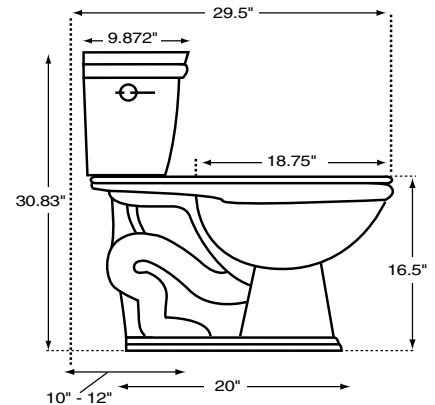
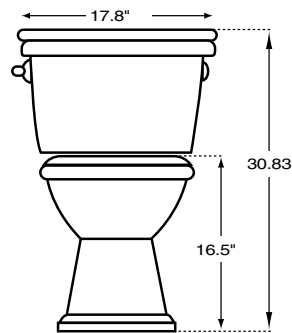
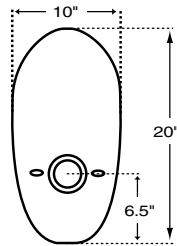
- Patented 1.28 GPF Niagara Flapperless™ flush system
- ADA approved
- Tamper-proof flush, cannot exceed 1.28 GPF
- Large water spot
- New high-performance bowl hydraulics
- No flapper to leak or replace
- Uses 20% less water than 1.6 GPF toilets
- 60% less than 3.5 GPF toilets
- Fluidmaster fill valve
- 10 year written guarantee
- Lifetime guarantee on porcelain
- Large 10" x 20" footprint
- Meets EPA WaterSense criteria
- Meets HET rebate standards
- No maintenance
- No double-flushing
- Sweat free tank



**AP-N2225E
Elongated**



A MEMBER OF THE
WATER SMART™
FAMILY OF PRODUCTS



**AQUA
PRO™**
SOLUTIONS LLC

water conservation, purification & management

PRODUCTS & SERVICES

aquapro solutions.com info@aquapro solutions.com
877.426.3279 P.O. Box 160, Swannanoa, NC 28778

**NIAGARA
CONSERVATION**